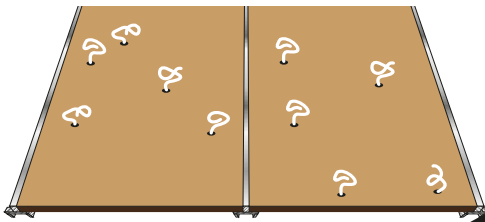


Expo Floor

HIRE ONLY

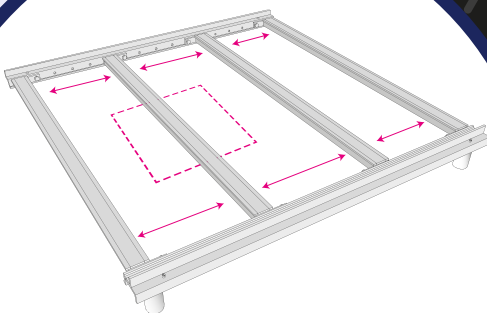
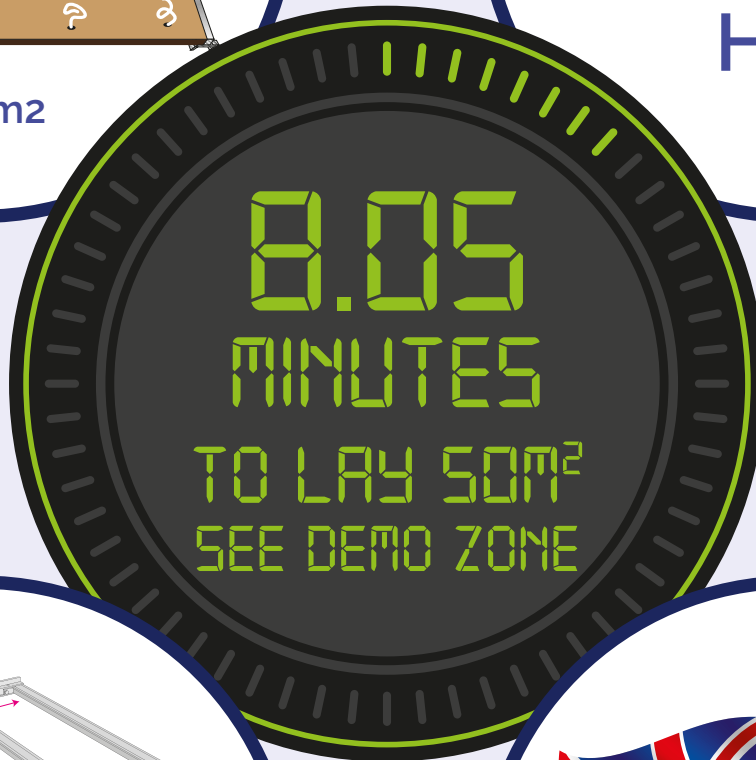


Unlimited
Cable
Access Points



per m2

8500m²
Held in stock
Available for
Hire



Adjustable frame
for steel insertion



Available in UK
and Europe



www.expo-floors.com
sales@expo-floors.com
0044 (0)1922 721 177



Expo Floors Units A4 & A5,
Walsall Enterprise Park,
Regal Drive, WS2 9HQ



Expo Floor

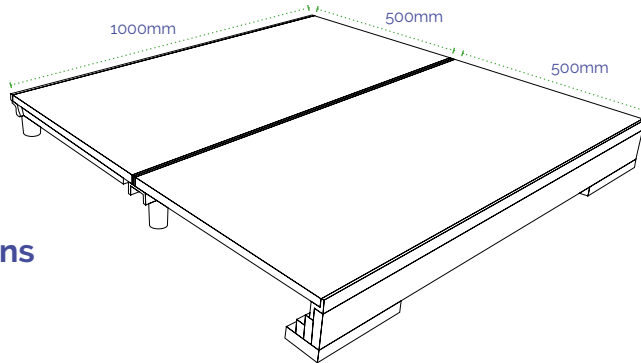
HIRE ONLY



The Expo Floor System was **designed** and **manufactured 25 years ago**. Over **90%** of the original **aluminium frames** used to make the system are **still in use today**, making this system one of the most **robust** and **sustainable** platform systems in the market.

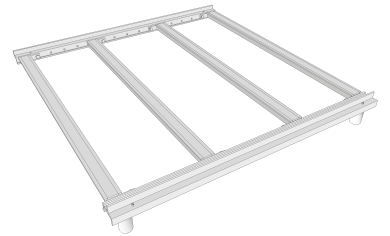
Standard Panel Dimensions

Dimension: 500mm x 1000mm
Height: 120mm
Weight: 22kg per m²



Adjustable Frame Dimensions

Dimension: 1000mm x 1000mm
Height: 120mm
Weight: 22kg per m²



Maximum Load Capacity

120mm Expo Floor

Weight loading capacity of 2T.
Load distributed in test conditions.



DISTRIBUTED OVER 1M²

Additional Load Capacity

Additional strength can be achieved by supporting the product from the underside with the correct size material. Fixing sheet material to top of the product can also create additional load capacity.

Height and Under Floor Clearance

